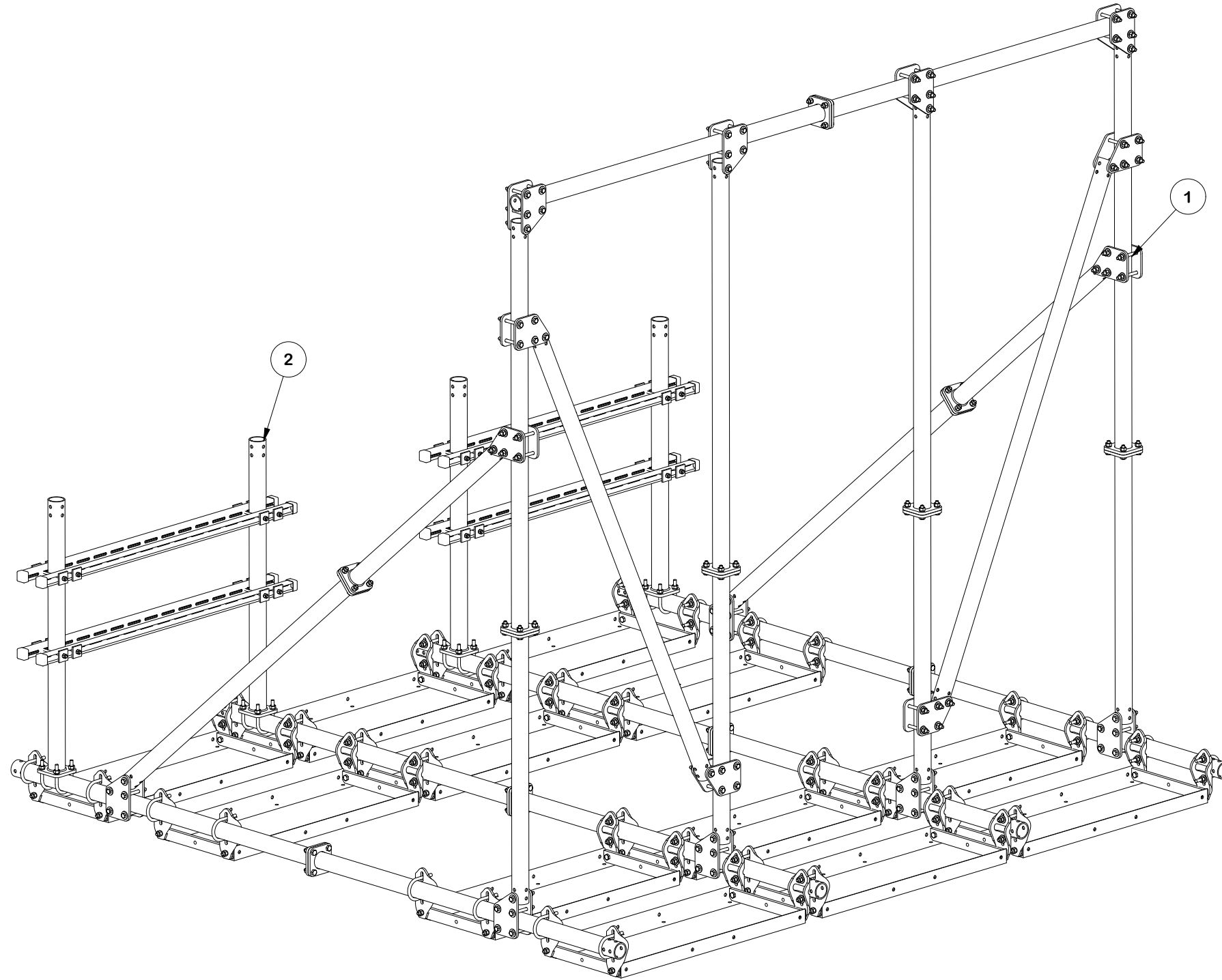


PARTS LIST					
ITEM	QTY	PART NO.	PART DESCRIPTION	UNIT WT.	NET WT.
1	1	CSRT4-121012	CSRT SERIES™ 3 PIPE SLOPE MOUNT 12' FACE X 10' MAST X 12' DEPTH	1717.09	1717.09
2	2	CSRT-RRU2-45	CONSTRUCTOR SERIES 4' X 5' 2 LAYER RRU RACK	105.63	211.26
TOTAL WT. #				205.23	



FINISH:
HOT DIP GALVANIZED.

TOLERANCE NOTES

TOLERANCES ON DIMENSIONS, UNLESS OTHERWISE NOTED ARE:
 SAWED, SHEARED AND GAS CUT EDGES ($\pm 0.030"$)
 DRILLED AND GAS CUT HOLES ($\pm 0.030"$) - NO CONING OF HOLES
 LASER CUT EDGES AND HOLES ($\pm 0.010"$) - NO CONING OF HOLES
 BENDS AND ANGLES ARE $\pm 1/2$ DEGREE
 ALL OTHER MACHINING ($\pm 0.030"$)
 ALL OTHER ASSEMBLY ($\pm 0.060"$)

PATENT INFORMATION: WWW.SITEPRO1.COM/PATENTS

PROPRIETARY NOTE:
 THE DATA AND TECHNIQUES CONTAINED IN THIS DRAWING ARE PROPRIETARY INFORMATION OF VALMONT INDUSTRIES AND CONSIDERED A TRADE SECRET. ANY USE OR DISCLOSURE WITHOUT THE CONSENT OF VALMONT INDUSTRIES IS STRICTLY PROHIBITED.

DESCRIPTION
**CSRT SERIES™ 3 PIPE SLOPE MOUNT
 12' FACE X 10' MAST X 12' DEPTH
 W/ RRU RACKS**

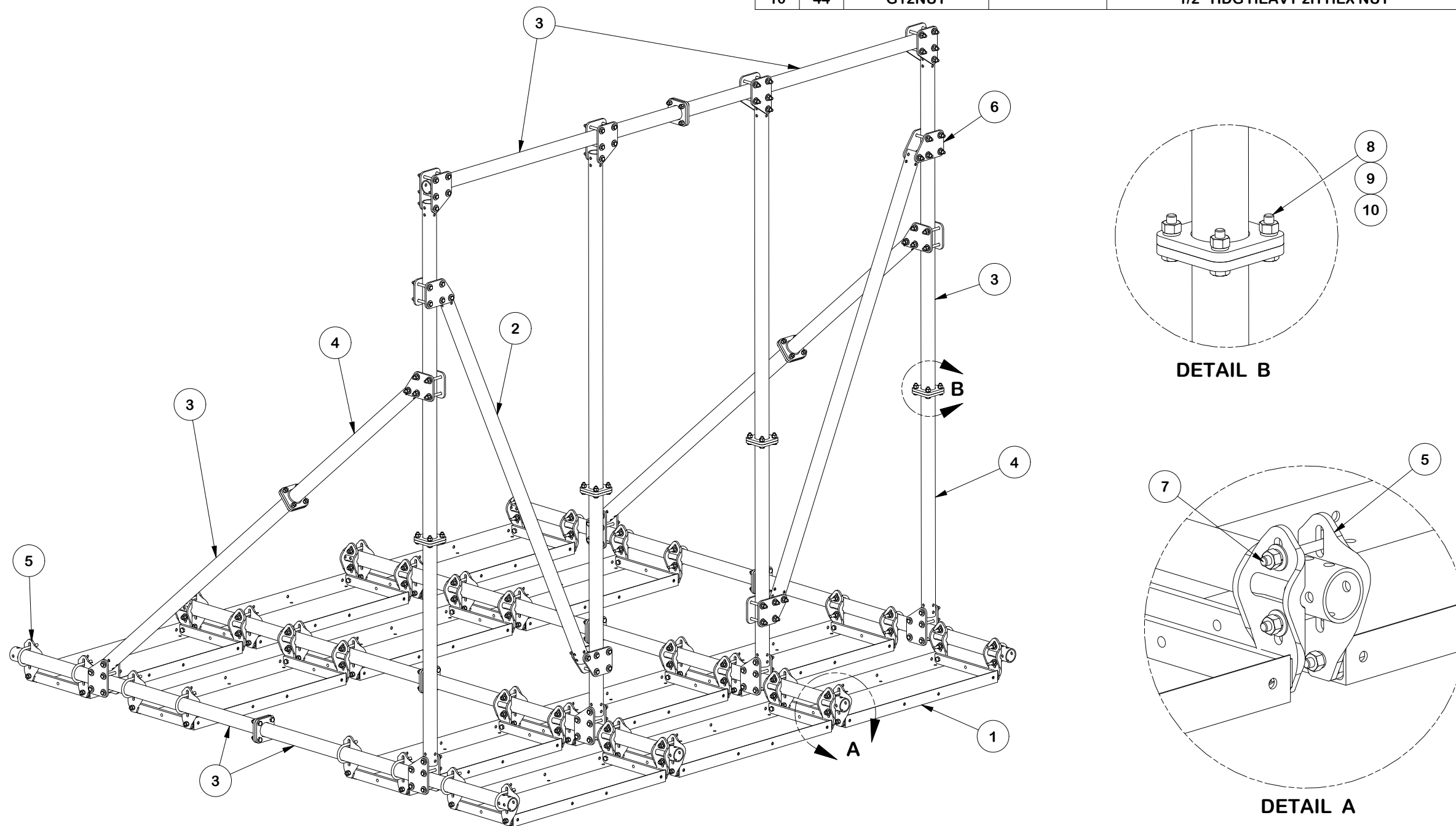
CPD NO. NCS	DRAWN BY SDR 10/6/2025	ENG. APPROVAL 11/11/2025
CLASS 87	SUB 02	DRAWING USAGE CUSTOMER
CHECKED BY ADB 11/11/2025		



Engineering Support Team:
 sp1engineering@valmont.com

PART NO. CSRT4-121012-R	PAGE 1 OF 7
DWG. NO. CSRT4-121012-R	

PARTS LIST										
ITEM	QTY	PART NO.	BOX NO.	PART DESCRIPTION	LENGTH	UNIT WT.	NET WT.			
1	12	X-251012		BALLAST TRAY WELDMENT - SITE PRO 1		36.58	438.97			
2	2	X-CSRT-P3096		2-7/8" DIA. PIPE X 96" LONG	96 in	48.99	97.99			
3	16	X-CSRT-3072FW		CSRT FLANGE PIPE WELDMENT 2-7/8" X 72"		39.16	626.49			
4	6	X-CSRT-3048FW		CSRT FLANGE PIPE WELDMENT 2-7/8" X 48"		26.85	161.07			
5	48	CSRT-PCB	P-CSRT-PCB	CSRT PIPE CLAMP BRACKET KIT		4.25	203.79			
6	16	CSRT-GP30	P-CSRT-GP30	CSRT GUSSET PLATE KIT		10.49	167.76			
7	32	G12045		1/2" x 4.5" HDG HEX BOLT GR5 FULL THREAD	4 1/2 in	0.30	9.54			
8	44	G1202		1/2" x 2" HDG HEX BOLT GR5	2 in	0.18	7.73			
9	44	G12LW		1/2" HDG LOCKWASHER	1/8 in	0.01	0.61			
10	44	G12NUT		1/2" HDG HEAVY 2H HEX NUT	7/8 in	0.07	3.15			
							TOTAL WT. #	1761.91		



FINISH:
HOT DIP GALVANIZED.

TOLERANCE NOTES

TOLERANCES ON DIMENSIONS, UNLESS OTHERWISE NOTED ARE:
 SAWED, SHEARED AND GAS CUT EDGES ($\pm 0.030"$)
 DRILLED AND GAS CUT HOLES ($\pm 0.030"$) - NO CONING OF HOLES
 LASER CUT EDGES AND HOLES ($\pm 0.010"$) - NO CONING OF HOLES
 BENDS AND ANGLES ARE $\pm 1/2$ DEGREE
 ALL OTHER MACHINING ($\pm 0.030"$)
 ALL OTHER ASSEMBLY ($\pm 0.060"$)

PATENT INFORMATION: WWW.SITEPRO1.COM/PATENTS

PROPRIETARY NOTE:
 THE DATA AND TECHNIQUES CONTAINED IN THIS DRAWING ARE PROPRIETARY INFORMATION OF VALMONT INDUSTRIES AND CONSIDERED A TRADE SECRET. ANY USE OR DISCLOSURE WITHOUT THE CONSENT OF VALMONT INDUSTRIES IS STRICTLY PROHIBITED.

DESCRIPTION
CSRT SERIES™ 3 PIPE SLOPE MOUNT
12' FACE X 10' MAST X 12' DEPTH
W/ RRU RACKS

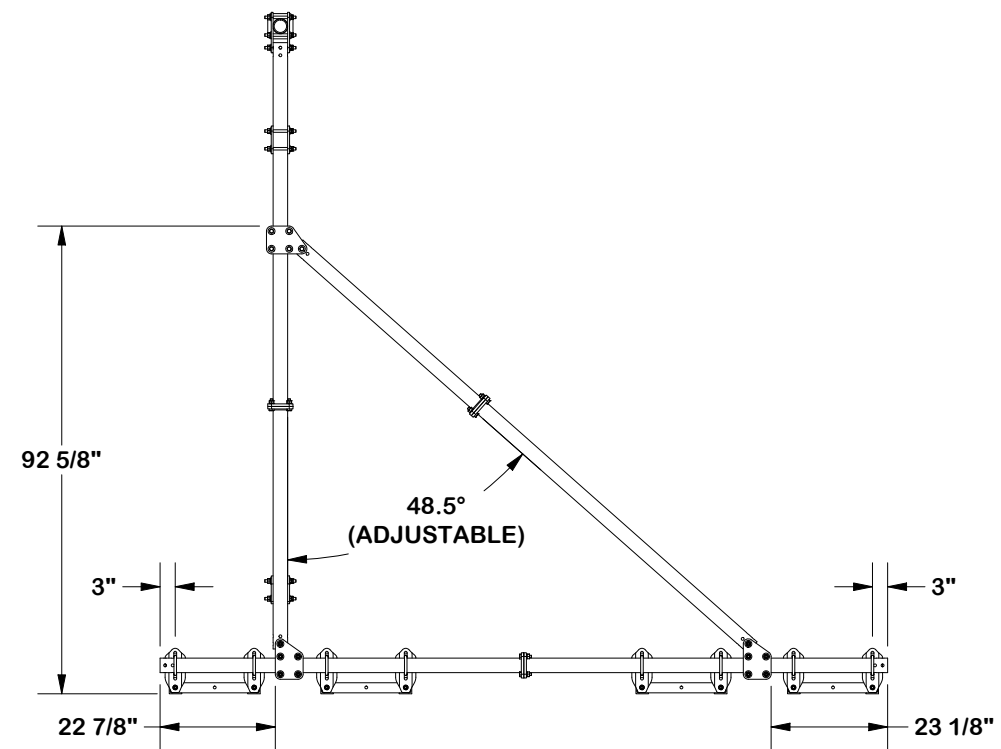
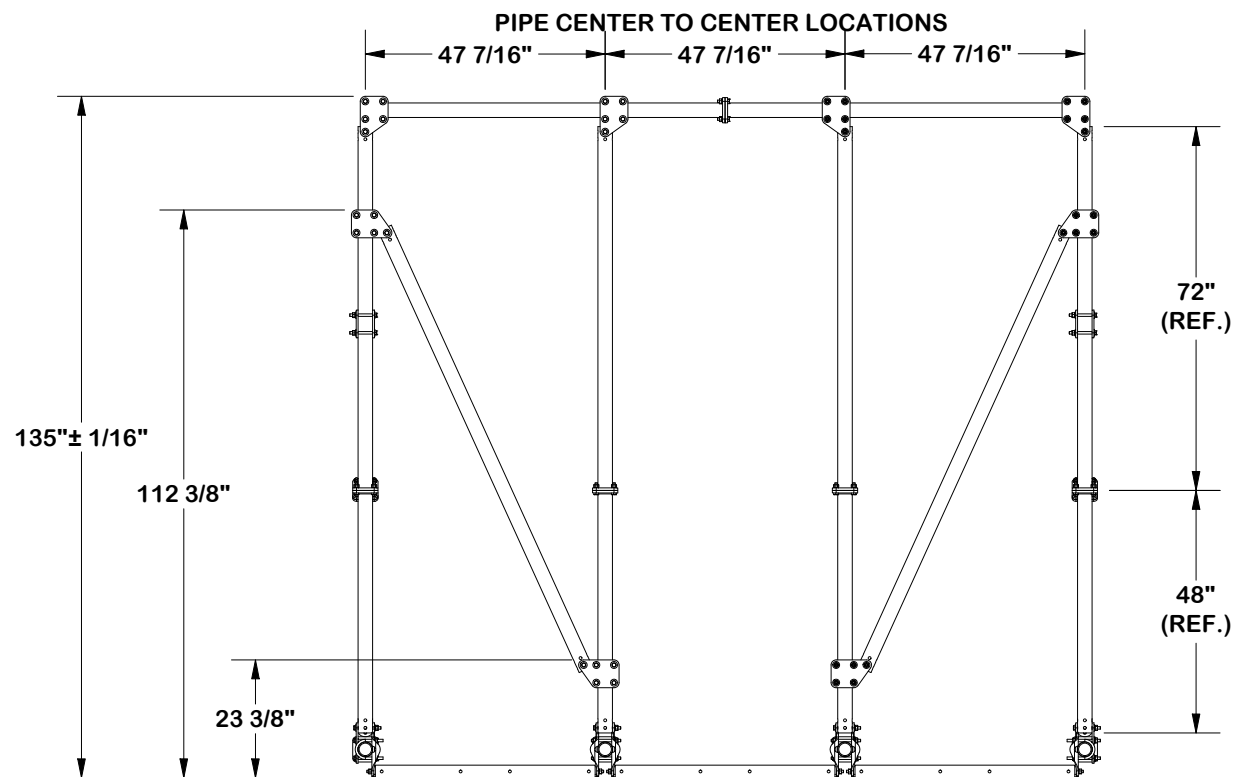
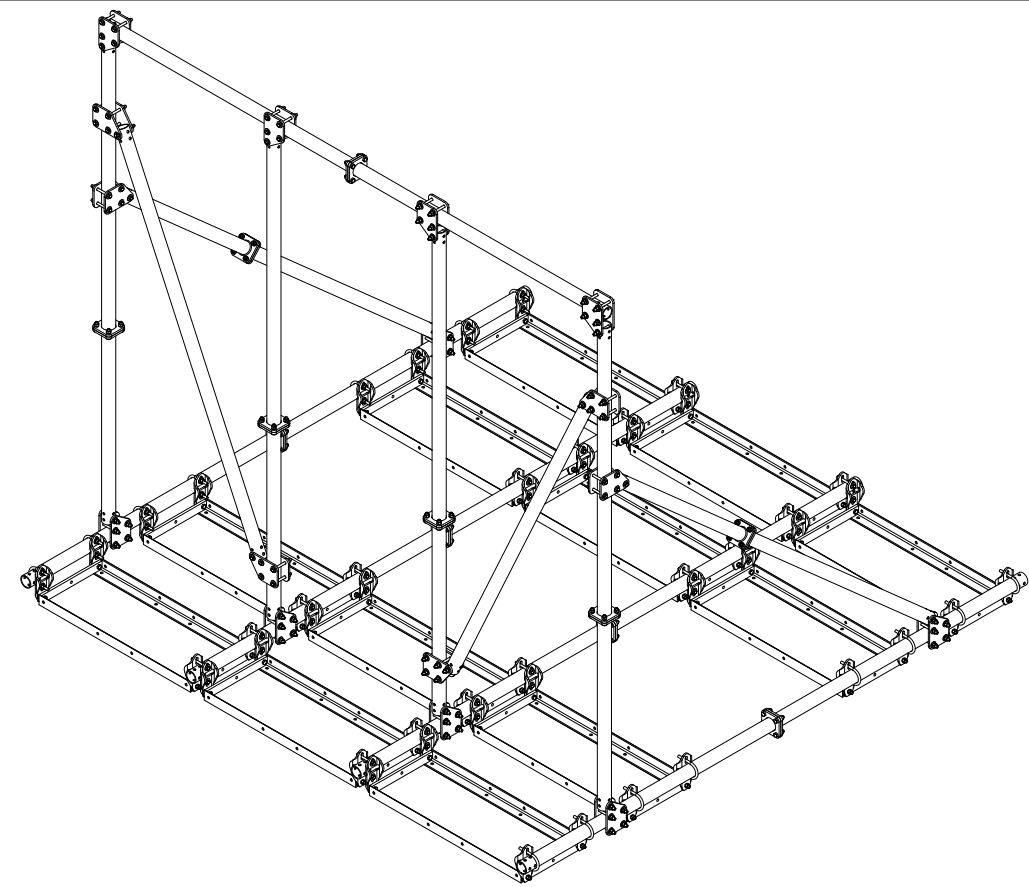
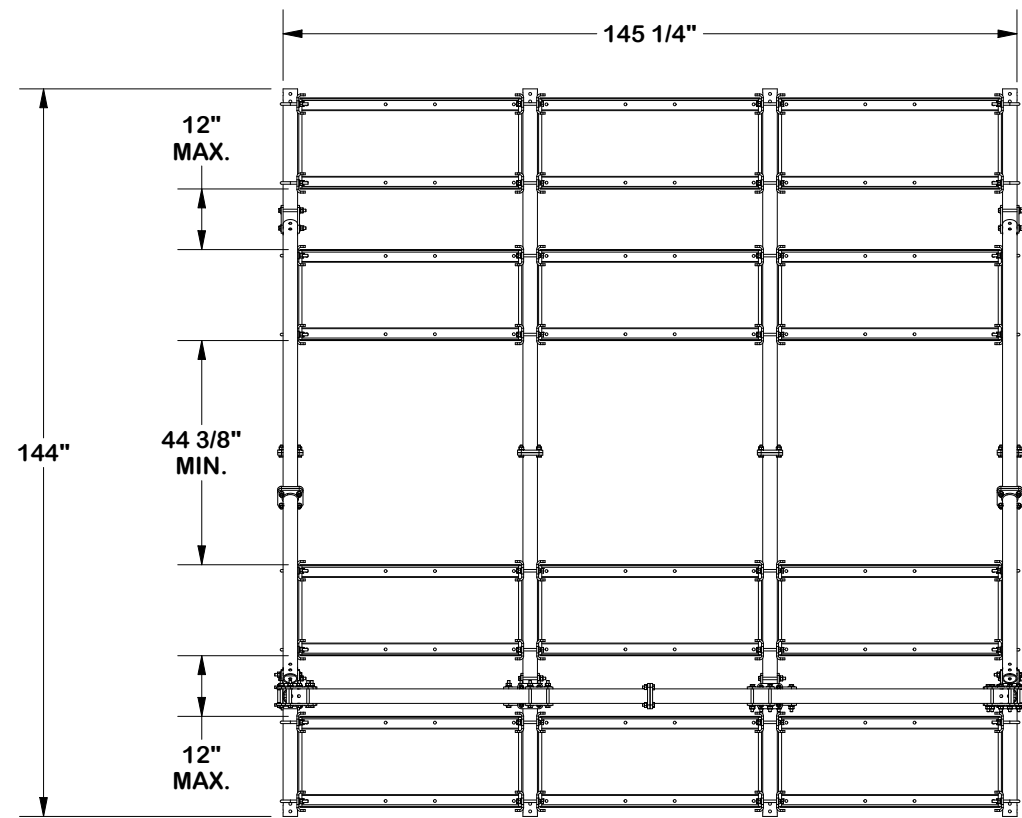
CPD NO.	DRAWN BY	ENG. APPROVAL
NCS	SDR 10/6/2025	11/11/2025
CLASS	DRAWING USAGE	CHECKED BY
87	CUSTOMER	ADB 11/11/2025



Engineering Support Team:
 sp1engineering@valmont.com

A valmont COMPANY

PART NO.	CSRT4-121012
DWG. NO.	CSRT4-121012-R



TOLERANCE NOTES

TOLERANCES ON DIMENSIONS, UNLESS OTHERWISE NOTED ARE:
 SAWED, SHEARED AND GAS CUT EDGES ($\pm 0.030"$)
 DRILLED AND GAS CUT HOLES ($\pm 0.030"$) - NO CONING OF HOLES
 LASER CUT EDGES AND HOLES ($\pm 0.010"$) - NO CONING OF HOLES
 BENDS AND ANGLES ARE $\pm 1/2$ DEGREE
 ALL OTHER MACHINING ($\pm 0.030"$)
 ALL OTHER ASSEMBLY ($\pm 0.060"$)

PATENT INFORMATION: WWW.SITEPRO1.COM/PATENTS

PROPRIETARY NOTE:
 THE DATA AND TECHNIQUES CONTAINED IN THIS DRAWING ARE PROPRIETARY INFORMATION OF VALMONT INDUSTRIES AND CONSIDERED A TRADE SECRET. ANY USE OR DISCLOSURE WITHOUT THE CONSENT OF VALMONT INDUSTRIES IS STRICTLY PROHIBITED.

DESCRIPTION
CSRT SERIES™ 3 PIPE SLOPE MOUNT
12' FACE X 10' MAST X 12' DEPTH
W/ RRU RACKS



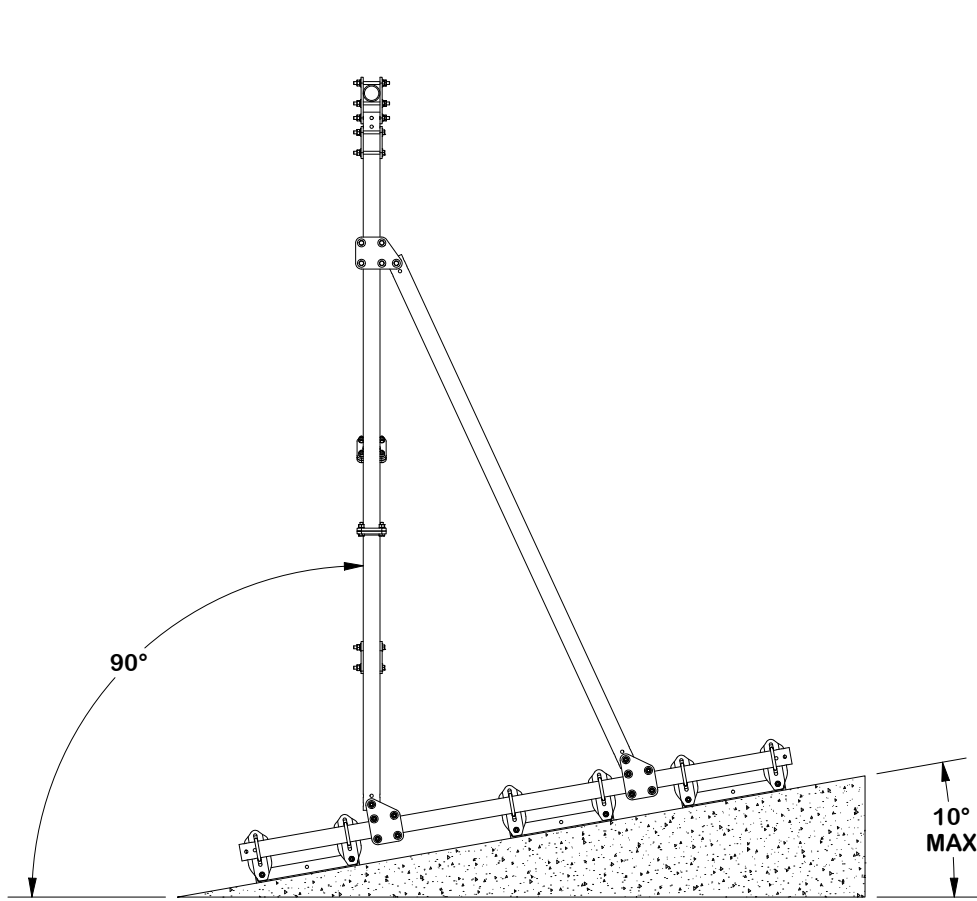
Engineering Support Team:
 sp1engineering@valmont.com

A valmont COMPANY

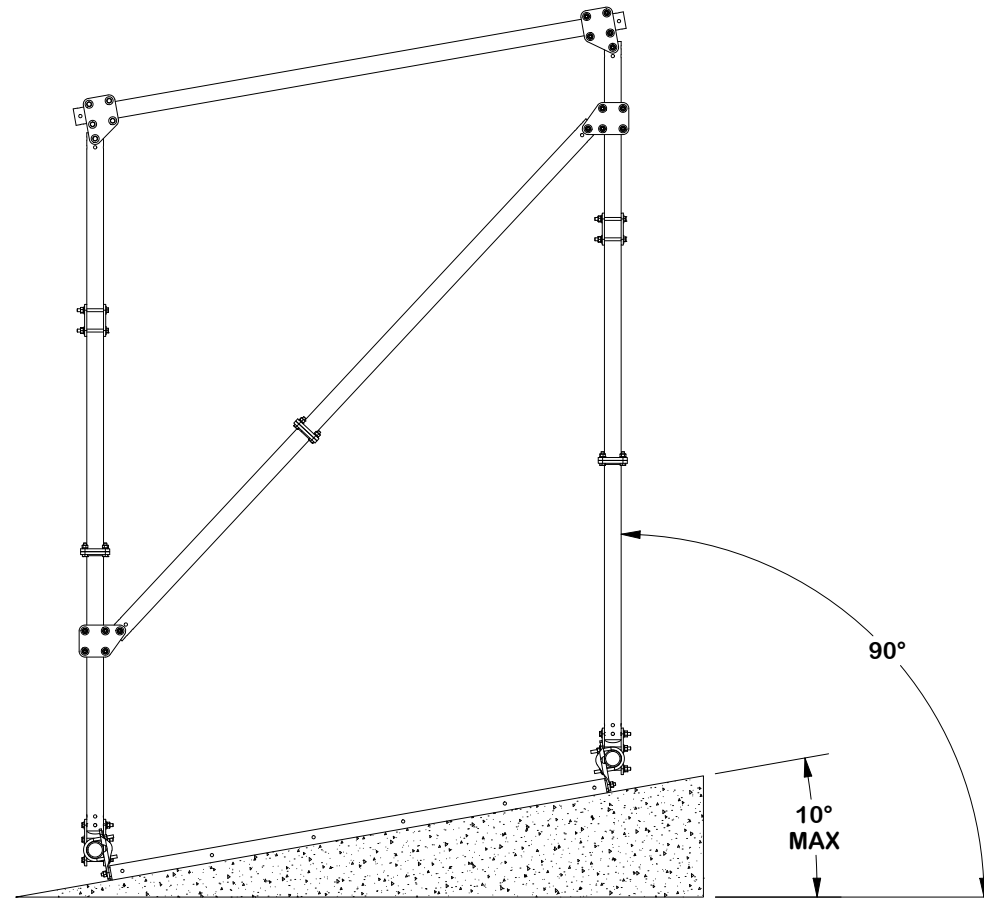
CPD NO. NCS	DRAWN BY SDR 10/6/2025	ENG. APPROVAL 11/11/2025
CLASS 87	SUB 02	DRAWING USAGE CUSTOMER
		CHECKED BY ADB 11/11/2025

PART NO. CSRT4-121012
DWG. NO. CSRT4-121012-R

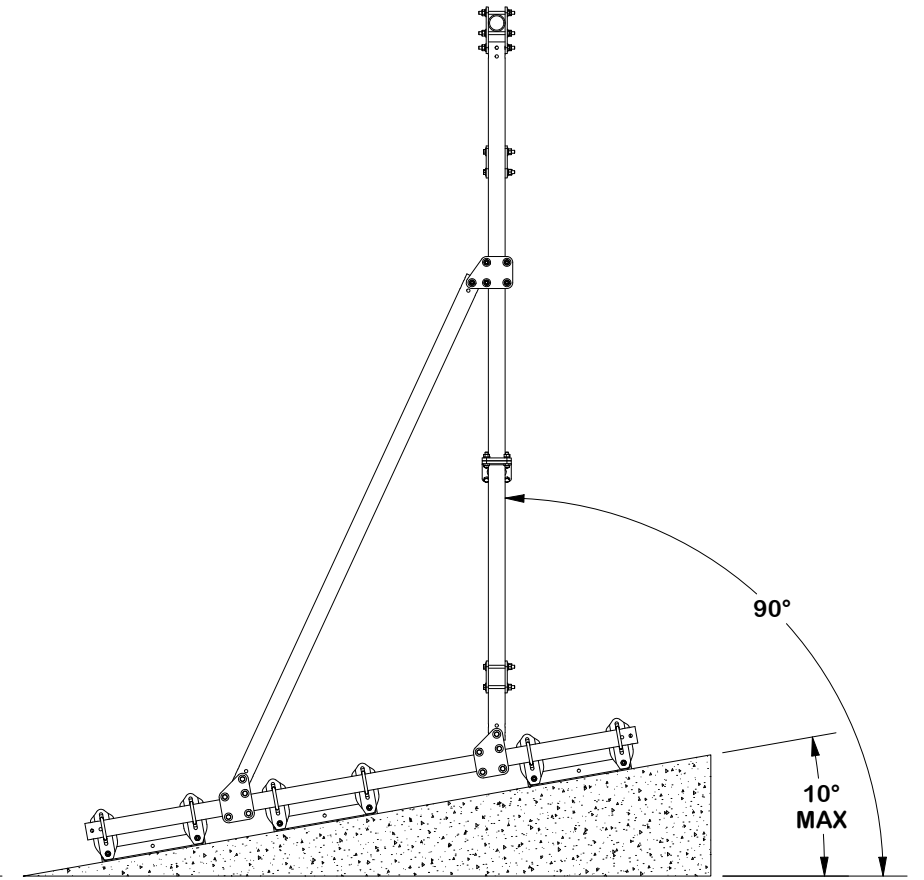
CSRT™ SLOPE REFERENCE



RIGHT SIDE VIEW
FRONT SLOPE



FRONT VIEW
SIDE SLOPE



LEFT SIDE VIEW
BACK SLOPE

TOLERANCE NOTES

TOLERANCES ON DIMENSIONS, UNLESS OTHERWISE NOTED ARE:
 SAWED, SHEARED AND GAS CUT EDGES ($\pm 0.030"$)
 DRILLED AND GAS CUT HOLES ($\pm 0.030"$) - NO CONING OF HOLES
 LASER CUT EDGES AND HOLES ($\pm 0.010"$) - NO CONING OF HOLES
 BENDS AND ANGLES ARE $\pm 1/2$ DEGREE
 ALL OTHER MACHINING ($\pm 0.030"$)
 ALL OTHER ASSEMBLY ($\pm 0.060"$)

PATENT INFORMATION: WWW.SITEPRO1.COM/PATENTS

PROPRIETARY NOTE:
 THE DATA AND TECHNIQUES CONTAINED IN THIS DRAWING ARE PROPRIETARY INFORMATION OF VALMONT INDUSTRIES AND CONSIDERED A TRADE SECRET. ANY USE OR DISCLOSURE WITHOUT THE CONSENT OF VALMONT INDUSTRIES IS STRICTLY PROHIBITED.

DESCRIPTION
CSRT SERIES™ 3 PIPE SLOPE MOUNT
12' FACE X 10' MAST X 12' DEPTH
W/ RRU RACKS

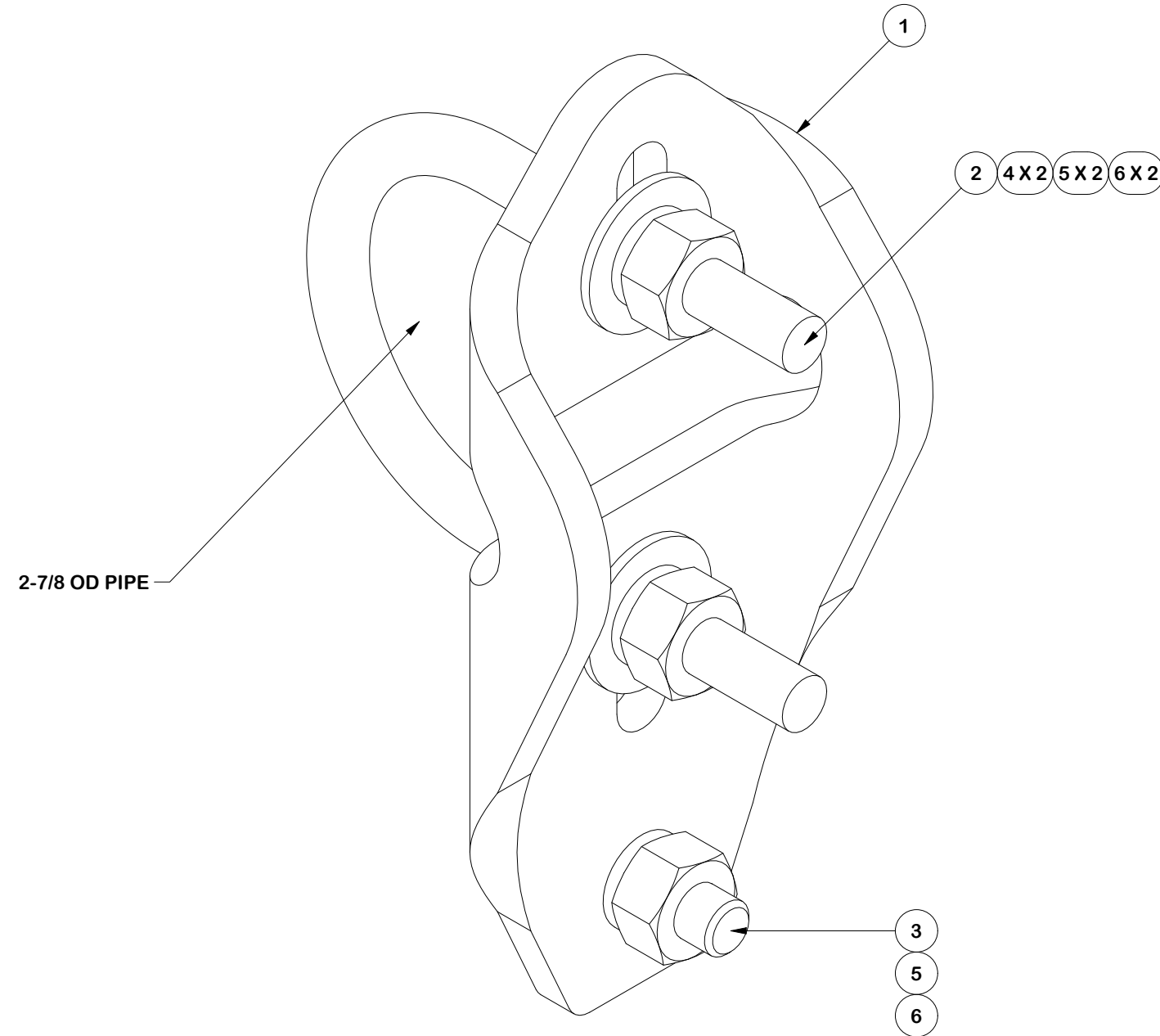
CPD NO.	DRAWN BY	ENG. APPROVAL
NCS	SDR 10/6/2025	11/11/2025
CLASS	DRAWING USAGE	CHECKED BY
87	CUSTOMER	ADB 11/11/2025



Engineering
 Support Team:
sp1engineering@valmont.com

PART NO.	CSRT™ SLOPE REF
DWG. NO.	CSRT4-121012-R

PARTS LIST						
ITEM	QTY	PART NO.	PART DESCRIPTION	LENGTH	UNIT WT.	NET WT.
1	1	X-CSRT-PCB	PIPE CONNECTION BRACKET	12 in	3.01	3.01
2	1	X-UB1300	1/2" X 3" X 5" X 2" GALV U-BOLT		0.74	0.74
3	1	G1202	1/2" x 2" HDG HEX BOLT GR5	2 in	0.18	0.18
4	2	G12FW	1/2" HDG USS FLATWASHER	3/32 in	0.03	0.07
5	3	G12LW	1/2" HDG LOCKWASHER	1/8 in	0.01	0.04
6	3	G12NUT	1/2" HDG HEAVY 2H HEX NUT	7/8 in	0.07	0.21
					TOTAL WT. #	4.25



FINISH:
HOT DIP GALVANIZED.

TOLERANCE NOTES

TOLERANCES ON DIMENSIONS, UNLESS OTHERWISE NOTED ARE:
 SAWED, SHEARED AND GAS CUT EDGES ($\pm 0.030"$)
 DRILLED AND GAS CUT HOLES ($\pm 0.030"$) - NO CONING OF HOLES
 LASER CUT EDGES AND HOLES ($\pm 0.010"$) - NO CONING OF HOLES
 BENDS AND ANGLES ARE $\pm 1/2$ DEGREE
 ALL OTHER MACHINING ($\pm 0.030"$)
 ALL OTHER ASSEMBLY ($\pm 0.060"$)

PATENT INFORMATION: WWW.SITEPRO1.COM/PATENTS

PROPRIETARY NOTE:
 THE DATA AND TECHNIQUES CONTAINED IN THIS DRAWING ARE PROPRIETARY INFORMATION OF VALMONT INDUSTRIES AND CONSIDERED A TRADE SECRET. ANY USE OR DISCLOSURE WITHOUT THE CONSENT OF VALMONT INDUSTRIES IS STRICTLY PROHIBITED.

DESCRIPTION
CSRT SERIES™ 3 PIPE SLOPE MOUNT
12' FACE X 10' MAST X 12' DEPTH
W/ RRU RACKS

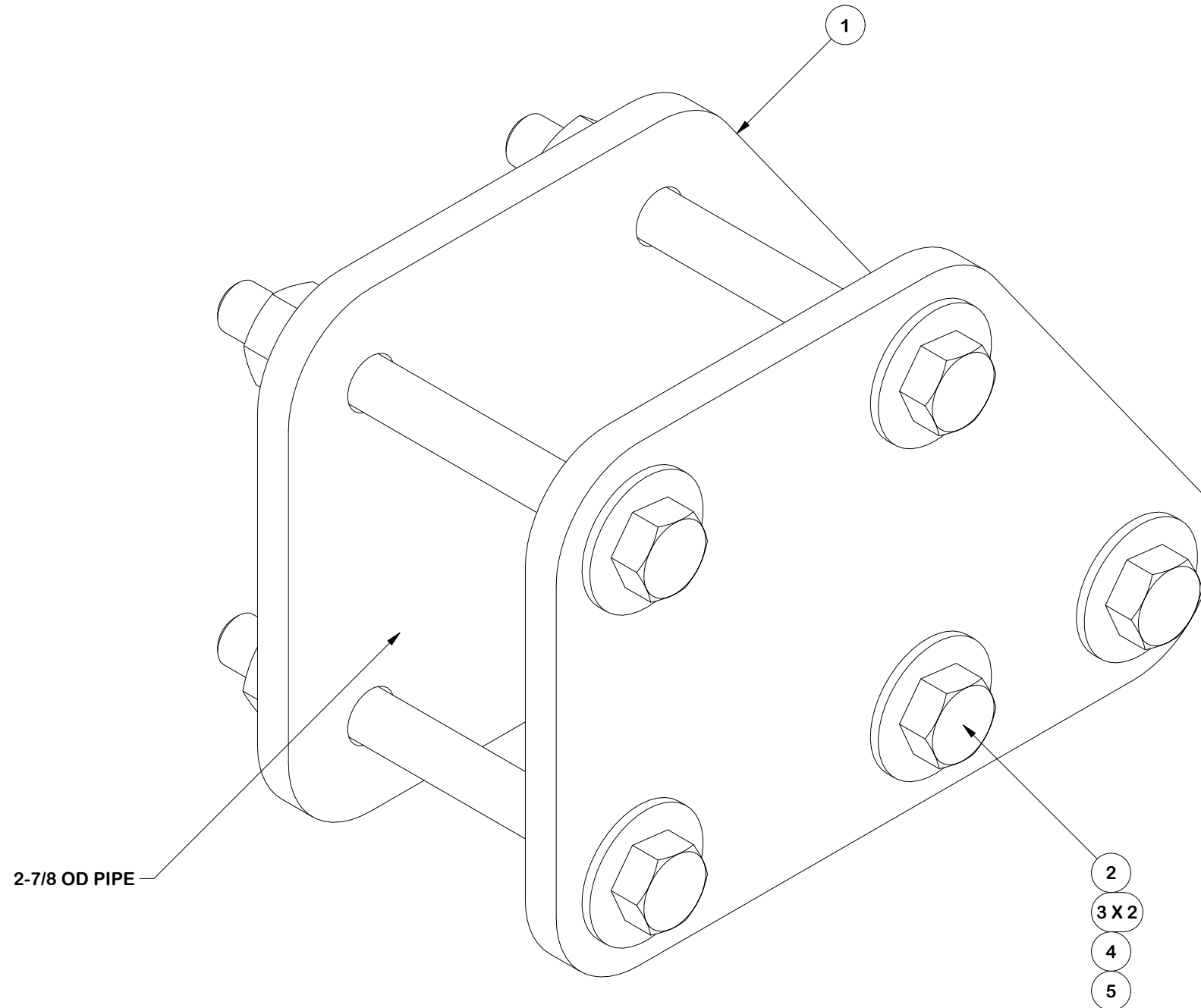


Engineering Support Team:
 sp1engineering@valmont.com

CPD NO.	DRAWN BY	ENG. APPROVAL
NCS	SDR 10/6/2025	11/11/2025
CLASS	DRAWING USAGE	CHECKED BY
87	CUSTOMER	ADB 11/11/2025

PART NO.	CSRT-PCB
DWG. NO.	CSRT4-121012-R

PARTS LIST						
ITEM	QTY	PART NO.	PART DESCRIPTION	LENGTH	UNIT WT.	NET WT.
1	2	X-CSRT-GP30	3" GUSSET PLATE	12 in	4.04	8.09
2	5	G1205	1/2" x 5" HDG HEX BOLT GR5 FULL THREAD	5 in	0.33	1.63
3	10	G12FW	1/2" HDG USS FLATWASHER	3/32 in	0.03	0.34
4	5	G12LW	1/2" HDG LOCKWASHER	1/8 in	0.01	0.07
5	5	G12NUT	1/2" HDG HEAVY 2H HEX NUT	7/8 in	0.07	0.36
					TOTAL WT. #	10.49



FINISH:
HOT DIP GALVANIZED.

TOLERANCE NOTES

TOLERANCES ON DIMENSIONS, UNLESS OTHERWISE NOTED ARE:
 SAWED, SHEARED AND GAS CUT EDGES ($\pm 0.030"$)
 DRILLED AND GAS CUT HOLES ($\pm 0.030"$) - NO CONING OF HOLES
 LASER CUT EDGES AND HOLES ($\pm 0.010"$) - NO CONING OF HOLES
 BENDS AND ANGLES ARE $\pm 1/2$ DEGREE
 ALL OTHER MACHINING ($\pm 0.030"$)
 ALL OTHER ASSEMBLY ($\pm 0.060"$)

PATENT INFORMATION: WWW.SITEPRO1.COM/PATENTS

PROPRIETARY NOTE:
 THE DATA AND TECHNIQUES CONTAINED IN THIS DRAWING ARE PROPRIETARY INFORMATION OF VALMONT INDUSTRIES AND CONSIDERED A TRADE SECRET. ANY USE OR DISCLOSURE WITHOUT THE CONSENT OF VALMONT INDUSTRIES IS STRICTLY PROHIBITED.

DESCRIPTION
CSRT SERIES™ 3 PIPE SLOPE MOUNT
12' FACE X 10' MAST X 12' DEPTH
W/ RRU RACKS

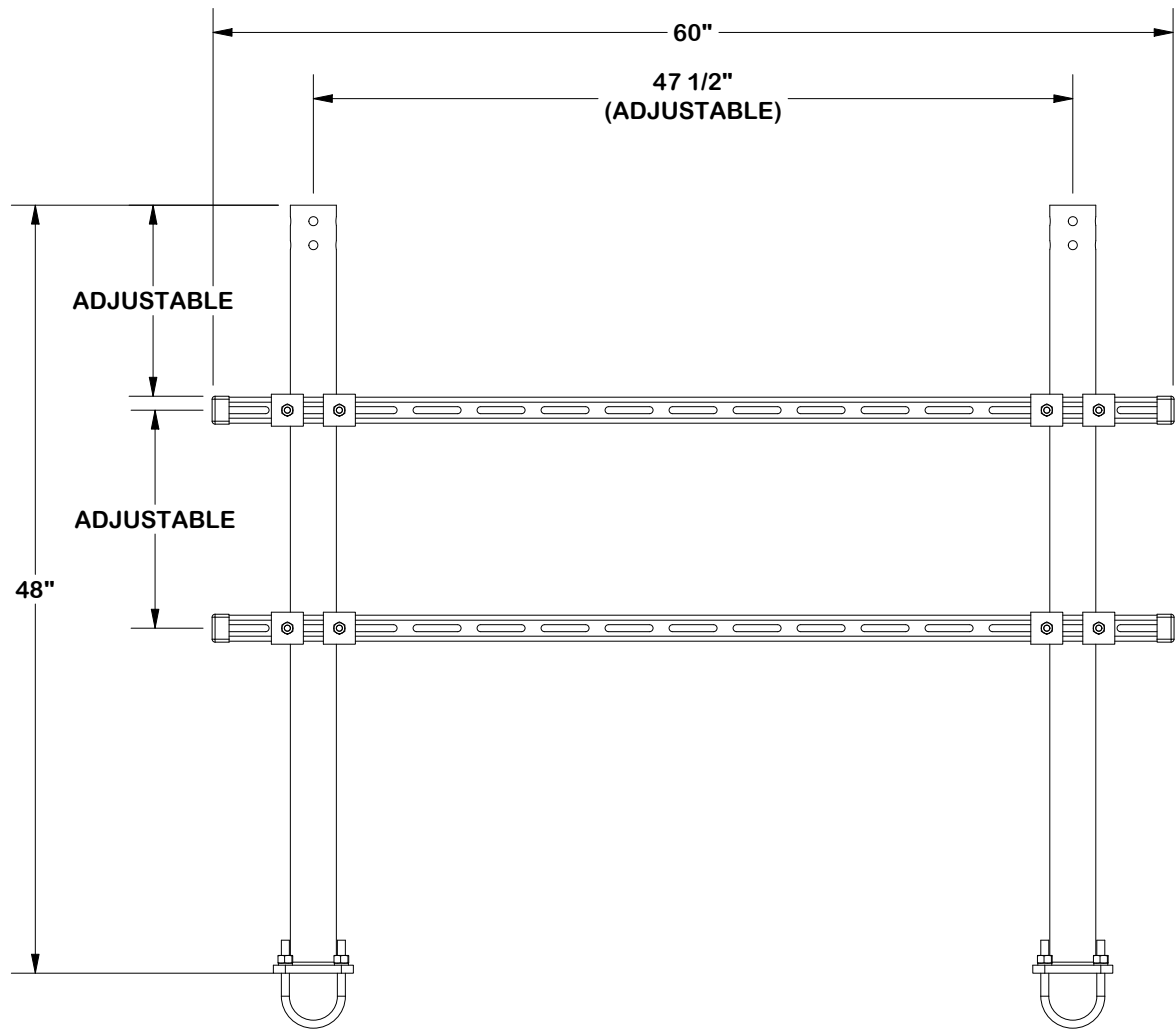
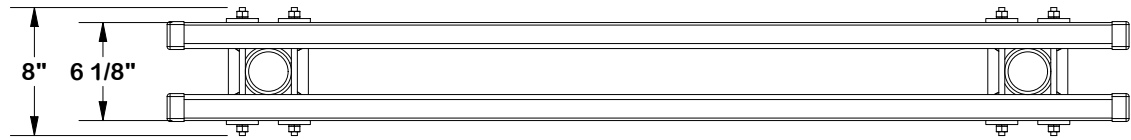
CPD NO.	DRAWN BY	ENG. APPROVAL
NCS	SDR 10/6/2025	11/11/2025
CLASS	DRAWING USAGE	CHECKED BY
87	CUSTOMER	ADB 11/11/2025



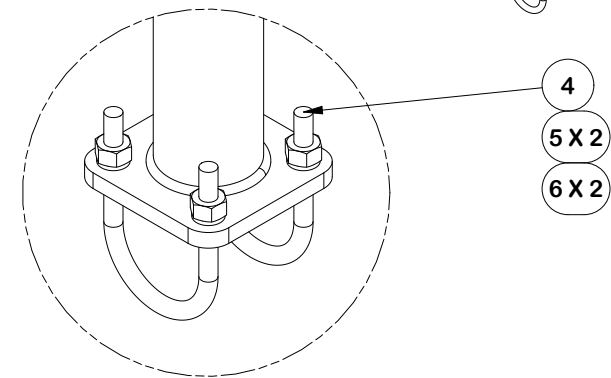
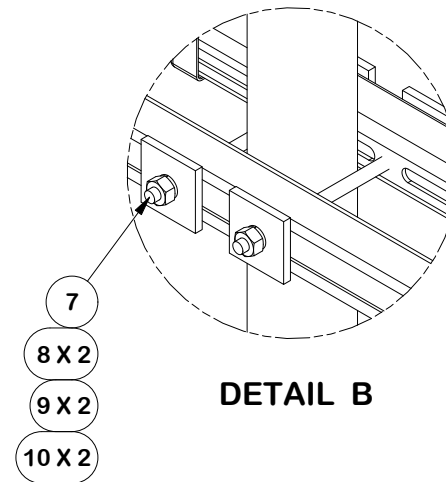
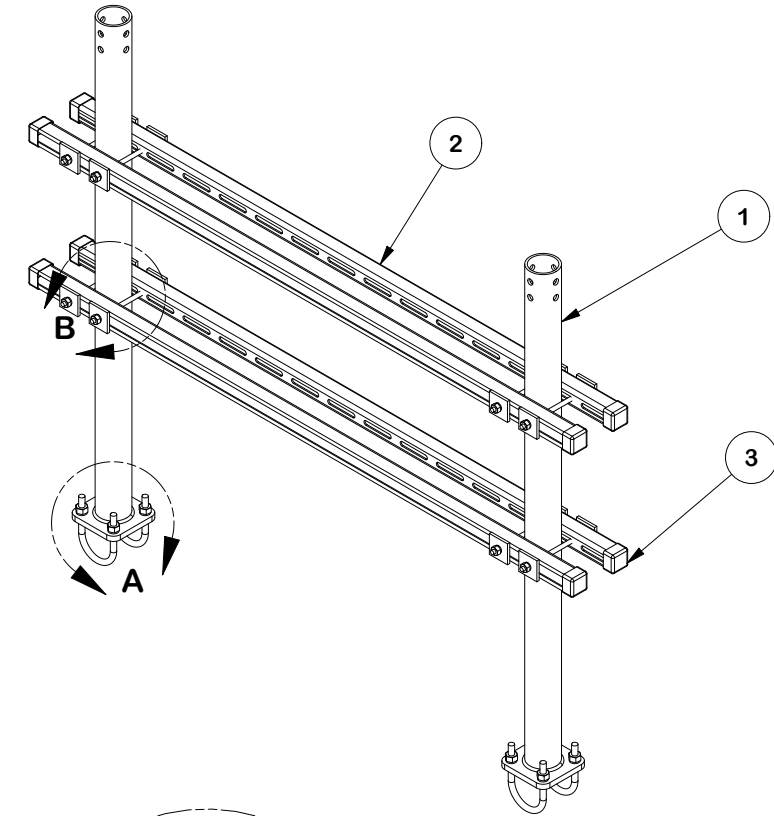
Engineering Support Team:
 sp1engineering@valmont.com

A valmont COMPANY

PART NO.	CSRT-GP30
DWG. NO.	CSRT4-121012-R



PARTS LIST						
ITEM	QTY	PART NO.	PART DESCRIPTION	LENGTH	UNIT WT.	NET WT.
1	2	X-CSRT-3048FW	CSRT FLANGE PIPE WELDMENT 2-7/8" X 48"		26.85	53.69
2	4	UNT5	UNISTRUT	60 in	10.19	40.76
3	8	UNICAP	UNISTRUT END CAP		0.03	0.26
4	4	X-UB1300	1/2 X 3" X 5" X 2" U-BOLT	5 in	0.74	2.95
5	8	G12LW	1/2" HDG LOCKWASHER	1/8 in	0.01	0.11
6	8	G12NUT	1/2" HDG HEAVY 2H HEX NUT	7/8 in	0.07	0.57
7	8	G38R-8	3/8" X 8" THREADED ROD (HDG.)		0.25	2.01
8	16	SQW38	3/8" SQUARE WASHER	2 in	0.29	4.63
9	16	G38LW	3/8" HDG LOCKWASHER		0.01	0.11
10	16	G38NUT	3/8" HDG HEAVY 2H HEX NUT		0.03	0.54
TOTAL WT. #						108.63



FINISH:
HOT DIP GALVANIZED.

TOLERANCE NOTES

TOLERANCES ON DIMENSIONS, UNLESS OTHERWISE NOTED ARE:
 SAWED, SHEARED AND GAS CUT EDGES ($\pm 0.030"$)
 DRILLED AND GAS CUT HOLES ($\pm 0.030"$) - NO CONING OF HOLES
 LASER CUT EDGES AND HOLES ($\pm 0.010"$) - NO CONING OF HOLES
 BENDS AND ANGLES ARE $\pm 1/2$ DEGREE
 ALL OTHER MACHINING ($\pm 0.030"$)
 ALL OTHER ASSEMBLY ($\pm 0.060"$)

PATENT INFORMATION: WWW.SITEPRO1.COM/PATENTS

PROPRIETARY NOTE:
 THE DATA AND TECHNIQUES CONTAINED IN THIS DRAWING ARE PROPRIETARY INFORMATION OF VALMONT INDUSTRIES AND CONSIDERED A TRADE SECRET. ANY USE OR DISCLOSURE WITHOUT THE CONSENT OF VALMONT INDUSTRIES IS STRICTLY PROHIBITED.

DESCRIPTION
CSRT SERIES™ 3 PIPE SLOPE MOUNT
12' FACE X 10' MAST X 12' DEPTH
W/ RRU RACKS

CPD NO.	DRAWN BY	ENG. APPROVAL
NCS	SDR 10/6/2025	11/11/2025
CLASS	DRAWING USAGE	CHECKED BY
87	CUSTOMER	ADB 11/11/2025



Engineering Support Team:
 sp1engineering@valmont.com

A valmont COMPANY

PART NO.	CSRT-RRU2-45
DWG. NO.	CSRT4-121012-R